

## Concealed wall mounting -

---

35 003 970 90



- red brass, lead-free
- 2x female thread 1/2" connections
- dust cover
- anti-water packing
- soundproofing

Can only be combined with exposed trim parts 26  
024 661-FF / 36 013 660-FF / 36 045 660-FF / 36  
013 970-FF / 36 045 970-FF / 36 804 661-FF.

## Recommended miscellaneous

---



### **Extension 25 mm -**

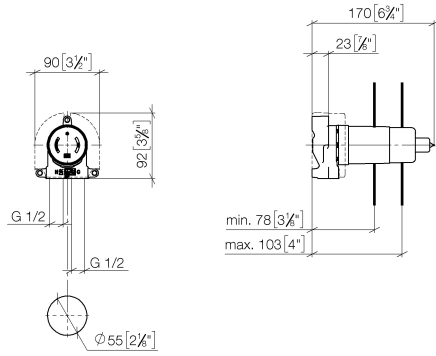
12 179 970 90

- Can only be combined with  
exposed trim parts 36 804 661-FF.

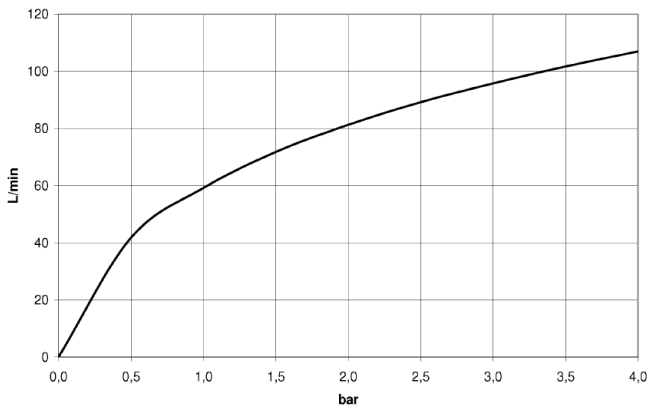
**Concealed wall mounting -**

35 003 970 90

mm [inches]



**Flow rate chart**



**Certificates**

DVGW\_DW-  
6512DN0127.

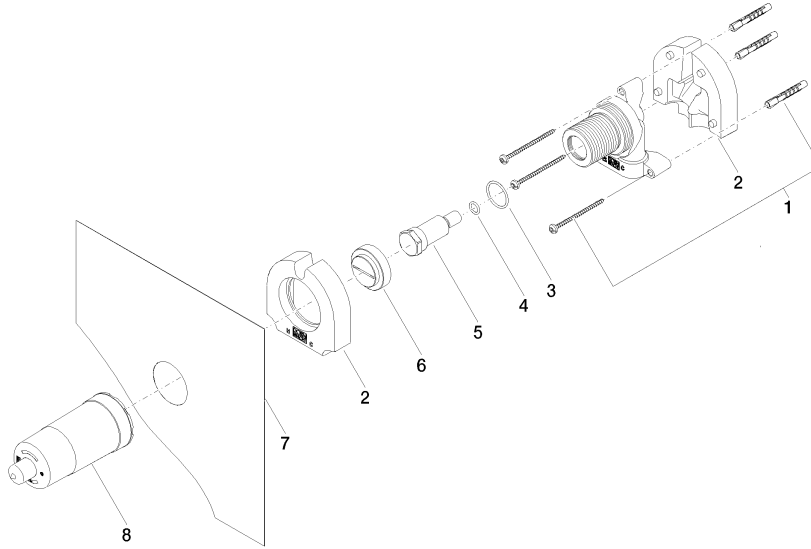
LGA\_18589.

WRAS\_2003025.

WRAS\_2101023.

**Concealed wall mounting -**

35 003 970 90



**Spare parts list**

No.	Item Number	Name	Quantity used	Delivery time
1	05 30 31 029 00 90	fixing set	1	2
2	09 11 11 019 90	accessories	2	2
3	09 14 10 112 90	seal	1	2
4	09 14 10 139 90	seal	1	2
5	09 31 20 038 90	plug	1	2
6	09 20 97 010 90	cap	1	2
7	04 14 03 079 00 90	gasket kit	1	2
8	09 21 02 178 90	cap	1	2